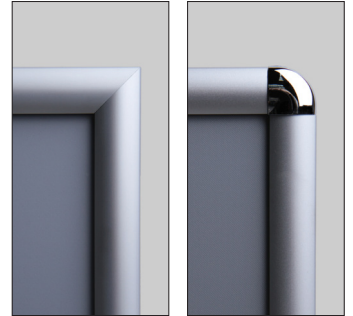


# PRODUCT SHEET

## 25 mm profile Indoor A-Board

PAVEMENT SIGNS > A BOARDS



ZPA3G25MH

### 25 mm profile Indoor A-Board

Double sided A-Board for indoor or covered area use. Reduced weight design with 20mm square legs, 25mm snap frames. Shock resistant grey PS back walls and UV- stable anti glare front sheets. Suitable for sheltered and less windy applications.

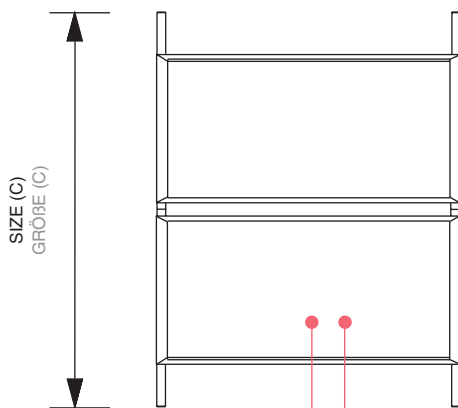
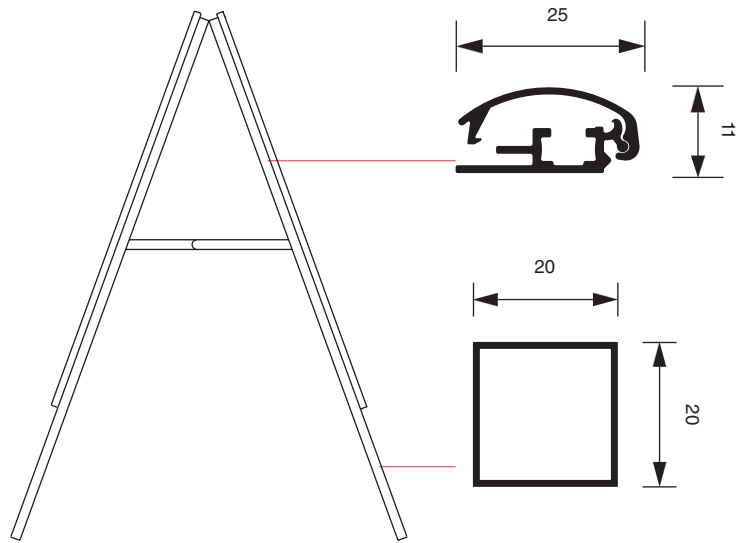
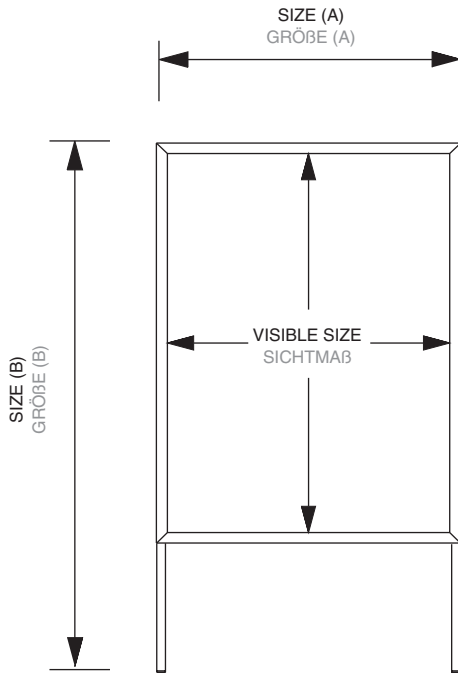
### Kundenstopper Indoor

Doppelseitiger Kundenstopper. Sehr stabil mit 20x20 mm starkem Standprofil und zwei aufmontierten 25mm Klapprahmen mit schlagfester, grauer PS - Rückwand. Durch das verringerte Gewicht leicht zu transportieren.

# PRODUCT SHEET

## 25 mm profile Indoor A-Board / mitred corner

PAVEMENT SIGNS > A BOARDS



ANTI GLARE FRONT 0,5mm  
ANTIREFLEXFOLIE 0,5mm

BACKWALL 3 mm AKYPLAC  
RÜCKWAND 3 mm AKYPLAC

### ACCESSORIES ZUBEHÖR



(SETZP)  
WRITING SET  
SCHREIBTAFEL-SET

(LHZP)  
LEAFLET BASKET  
PROSPEKTKORB



# PRODUCT SHEET

## 25 mm profile Indoor A-Board / mitred corner

PAVEMENT SIGNS > A BOARDS

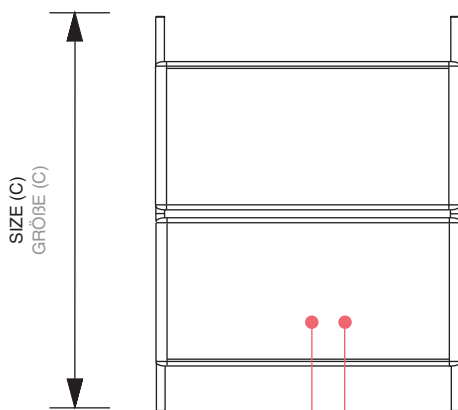
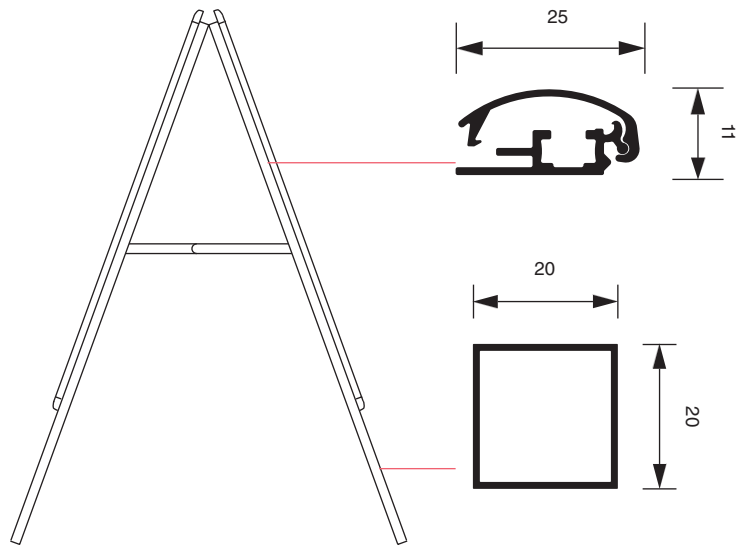
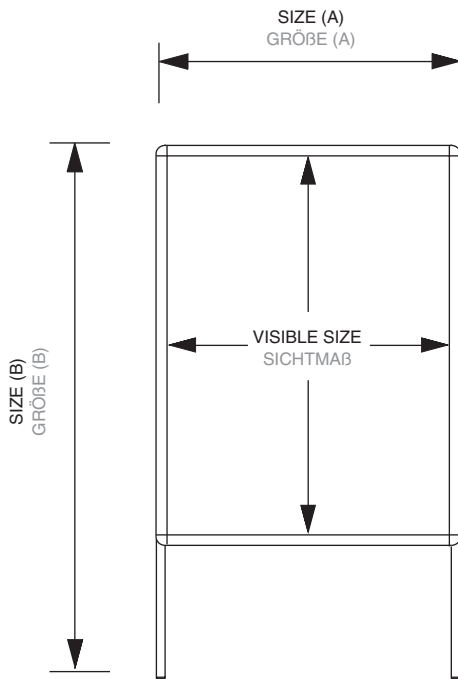
| ARTICLE CODE                         | EAN / GTIN    | POSTER SIZE       | VISIBLE SIZE | SIZE<br>(A x B x C)  | NET<br>WEIGHT    |
|--------------------------------------|---------------|-------------------|--------------|----------------------|------------------|
| ARTIKELCODE                          | EAN / GTIN    | PLAKATFORMAT      | SICHTMAß     | GRÖßE<br>(A x B x C) | NETTO<br>GEWICHT |
| ZPA2G25 <input type="checkbox"/>     | 8595578305296 | 420 x 594 mm (A2) | 400 x 574 mm | 451 x 980 x 674 mm   | 3,33 kg          |
| ZPA1G25 <input type="checkbox"/>     | 8595578305302 | 594 x 841 mm (A1) | 574 x 821 mm | 625 x 1075 x 736 mm  | 4,87 kg          |
| ZP50x70G25 <input type="checkbox"/>  | 8595578305319 | 500 x 700 mm      | 480 x 680 mm | 531 x 980 x 674 mm   | 4,07 kg          |
| ZP70x100G25 <input type="checkbox"/> | 8595578305326 | 700 x 1000 mm     | 680 x 980 mm | 731 x 1361 x 917 mm  | 6,14 kg          |
| ZPA3G25MH <input type="checkbox"/>   | 8595578350494 | 297 x 420 mm (A3) | 400 x 277 mm | 579 x 427 x 427 mm   | 2,37 kg          |

| ARTICLE CODE | PACKING<br>SIZE       | PACKING<br>WEIGHT   | PCS / PALLET   | WEIGHT<br>OF PALLET  | VOLUMETRIC<br>WEIGHT | BELT SIZE | SHIPPING   |
|--------------|-----------------------|---------------------|----------------|----------------------|----------------------|-----------|------------|
| ARTIKELCODE  | VERPACKUNGS-<br>GRÖßE | VERSAND-<br>GEWICHT | STCK / PALETTE | PALETTEN-<br>GEWICHT | VOLUMEN-<br>GEWICHT  | GURTMAß   | VERSANDART |
| ZPA2G25      | 521 x 1076 x 124 mm   | 6,63 kg             | 20             | 153 kg               | 13,90 kg             | 2366 mm   | UPS        |
| ZPA1G25      | 695 x 1196 x 124 mm   | 8,45 kg             | 20             | 189 kg               | 20,61 kg             | 2834 mm   | UPS        |
| ZP50x70G25   | 601 x 1076 x 124 mm   | 7,52 kg             | 20             | 171 kg               | 16,03 kg             | 2526 mm   | UPS        |
| ZP70x100G25  | 807 x 1495 x 124 mm   | 10,66 kg            | 10             | 127 kg               | 29,92 kg             | 3357 mm   | TOF        |
| ZPA3G25MH    | 362 x 632 x 122 mm    | 3,18 kg             | 54             | 192 kg               | 5,58 kg              | 1600 mm   | UPS        |

# PRODUCT SHEET

## 25 mm profile Indoor A-Board / rondo corner

PAVEMENT SIGNS > A BOARDS



ANTI GLARE FRONT 0,5mm  
ANTIREFLEXFOLIE 0,5mm

BACKWALL 3 mm AKYPLAC  
RÜCKWAND 3 mm AKYPLAC

### ACCESSORIES ZUBEHÖR



(SETZP)  
WRITING SET  
SCHREIBTAFEL-SET

(LHZP)  
LEAFLET BASKET  
PROSPEKTKORB



# PRODUCT SHEET

## 25 mm profile Indoor A-Board / rondo corner

PAVEMENT SIGNS > A BOARDS

| ARTICLE CODE | EAN / GTIN    | POSTER SIZE       | VISIBLE SIZE | SIZE<br>(A x B x C)  | NET<br>WEIGHT    |
|--------------|---------------|-------------------|--------------|----------------------|------------------|
| ARTIKELCODE  | EAN / GTIN    | PLAKATFORMAT      | SICHTMAß     | GRÖßE<br>(A x B x C) | NETTO<br>GEWICHT |
| ZPA2R25      | 8595578305388 | 420 x 594 mm (A2) | 400 x 574 mm | 451 x 1006 x 674 mm  | 3,39 kg          |
| ZPA1R25      | 8595578305395 | 594 x 841 mm (A1) | 574 x 821 mm | 625 x 1101 x 736 mm  | 4,79 kg          |
| ZP50x70R25   | 8595578305401 | 500 x 700 mm      | 480 x 680 mm | 531 x 1006 x 674 mm  | 4,00 kg          |
| ZP70x100R25  | 8595578305418 | 700 x 1000 mm     | 680 x 980 mm | 731 x 1387 x 917 mm  | 6,07 kg          |

| ARTICLE CODE | PACKING<br>SIZE       | PACKING<br>WEIGHT   | PCS / PALLET   | WEIGHT<br>OF PALLET  | VOLUMETRIC<br>WEIGHT | BELT SIZE | SHIPPING   |
|--------------|-----------------------|---------------------|----------------|----------------------|----------------------|-----------|------------|
| ARTIKELCODE  | VERPACKUNGS-<br>GRÖßE | VERSAND-<br>GEWICHT | STCK / PALETTE | PALETTEN-<br>GEWICHT | VOLUMEN-<br>GEWICHT  | GURTMAB   | VERSANDART |
| ZPA2R25      | 521 x 1076 x 124 mm   | 6,57 kg             | 20             | 152 kg               | 13,90 kg             | 2366 kg   | UPS        |
| ZPA1R25      | 695 x 1196 x 124 mm   | 8,27 kg             | 20             | 186 kg               | 20,61 kg             | 2834 kg   | UPS        |
| ZP50x70R25   | 601 x 1076 x 124 mm   | 7,34 kg             | 20             | 167 kg               | 16,04 kg             | 2526 kg   | UPS        |
| ZP70x100R25  | 807 x 1495 x 124 mm   | 10,48 kg            | 10             | 125 kg               | 29,92 kg             | 3357 kg   | TOF        |