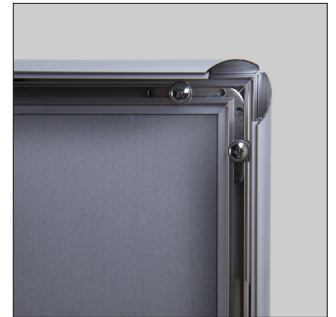
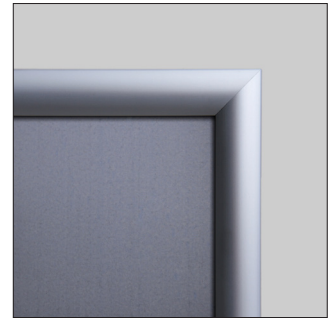
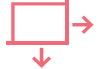


# PRODUCT SHEET

## Snap frame Profile 25 mm B1 Fire Rated

POSTER FRAMES > SNAP FRAMES



### Snap frame 25 mm B1

25 mm wide profile. Silver anodised finish. With mitred corners. Shock resistant back wall and UV-stable anti glare front sheet. Snap frame certified with fire protection B1 classification! Perfectly to place in schools, public buildings and authorities.

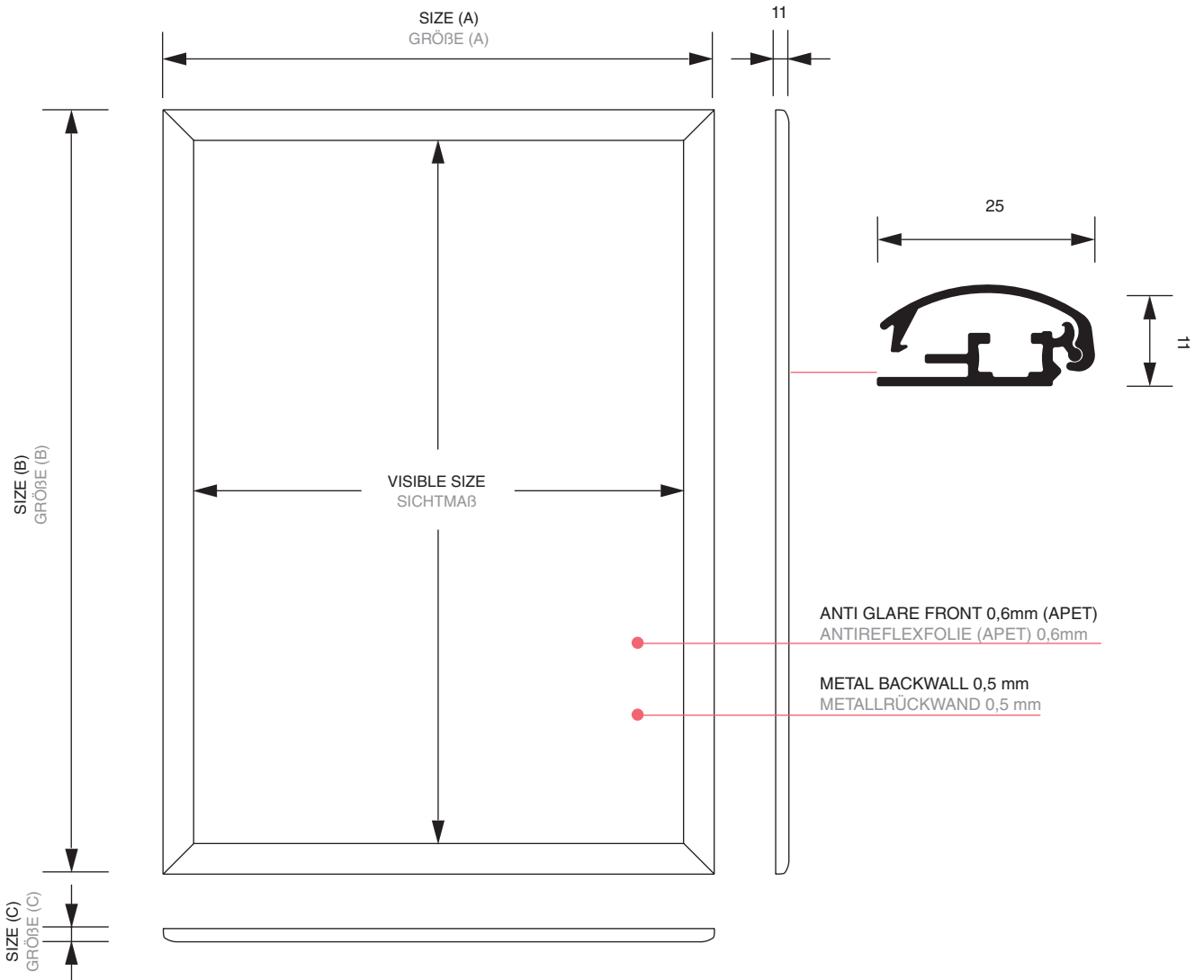
### Klapprahmen 25 mm brandschutzzertifiziert (B1 nach DIN4102)

Klapprahmen mit B1 Brandschutzzertifikat, silber eloxiertem Aluminiumprofil (25 mm) und Gehrungsecken. Stoßfeste Metallrückwand und Antireflexfolie. Ideal für öffentliche Gebäude, Schulen und Behörden.

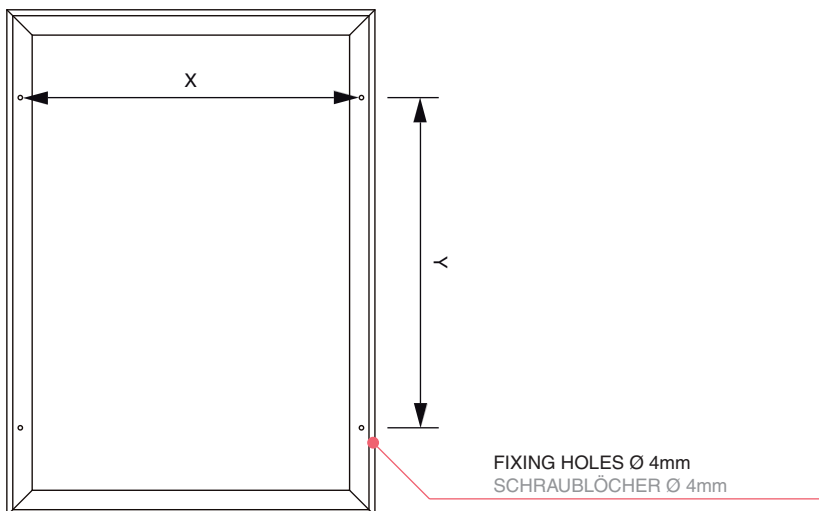
# PRODUCT SHEET

## Snap frame Profile 25 mm B1 Fire Rated

POSTER FRAMES > SNAP FRAMES



### BACKVIEW RÜCKANSICHT



### ACCESSORIES ZUBEHÖR



(SOSSET)  
SET OF SCREWS  
SCHRAUBENSET

(KRHOOKS)  
HOOKS  
AUFHÄNGEÖSEN



(HSKR)  
HANGING SET  
ABHÄNGESET

# PRODUCT SHEET

## Snap frame Profile 25 mm B1 Fire Rated

POSTER FRAMES > SNAP FRAMES

ARTICLE CODE	EAN / GTIN	POSTER SIZE	VISIBLE SIZE	SIZE (A x B x C)	NET WEIGHT	HOLES PITCH (X x Y)
ARTIKELCODE	EAN / GTIN	PLAKATFORMAT	SICHTMAß	GRÖßE (A x B x C)	NETTO GEWICHT	LOCHABSTAND (X x Y)
KRA5G25B1	8595578360219	148 x 210 mm (A5)	128 x 190 mm	179 x 241 x 11 mm	0,49 kg	159 mm
KRA4G25B1	8595578357417	210 x 297 mm (A4)	190 x 277 mm	241 x 328 x 11 mm	0,68 kg	221 x 119 mm
KRA3G25B1	8595578357424	297 x 420 mm (A3)	277 x 400 mm	328 x 451 x 11 mm	1,12 kg	308 x 242 mm
KRA2G25B1	8595578357431	420 x 594 mm (A2)	400 x 574 mm	451 x 625 x 11 mm	1,93 kg	431 x 336 mm
KRA1G25B1	8595578357448	594 x 841 mm (A1)	574 x 821 mm	625 x 872 x 11 mm	3,46 kg	605 x 583 mm
KRA0G25B1	8595578357455	841 x 1189 mm (A0)	821 x 1169 mm	872 x 1220 x 11 mm	6,42 kg	852 x 931 mm
KR50x70G25B1	8595578357486	500 x 700 mm	480 x 680 mm	531 x 731 x 11 mm	2,55 kg	511 x 442 mm
KR70x100G25B1	8595578357479	700 x 1000 mm	680 x 980 mm	731 x 1031 x 11 mm	4,65 kg	711 x 742 mm
KR508x762G25B1	8595578357493	20" x 30"	488 x 742 mm	539 x 793 x 11 mm	2,78 kg	519 x 504 mm
KR762x1016G25B1	8595578357462	30" x 40"	742 x 996 mm	793 x 1047 x 11 mm	5,09 kg	773 x 756 mm

ARTICLE CODE	PACKING SIZE	PACKING WEIGHT	PCS / PALLET	WEIGHT OF PALLET	VOLUMETRIC WEIGHT	BELT SIZE	SHIPPING
ARTIKELCODE	VERPACKUNGS-GRÖßE	VERSAND-GEWICHT	STCK / PALETTE	PALETTEN-GEWICHT	VOLUMEN-GEWICHT	GURTMAß	VERSANDART
KRA5G25B1	205 x 300 x 230 mm*	5,00 kg*	1200	620 kg	0,26 kg	682 mm	UPS
KRA4G25B1	267 x 347 x 30 mm	0,87 kg	315	295 kg	0,34 kg	877 mm	UPS
KRA3G25B1	347 x 472 x 30 mm	1,45 kg	278	424 kg	0,62 kg	1174 mm	UPS
KRA2G25B1	472 x 649 x 30 mm	2,59 kg	152	414 kg	1,17 kg	1594 mm	UPS
KRA1G25B1	647 x 894 x 30 mm	4,54 kg	76	366 kg	2,23 kg	2189 mm	UPS
KRA0G25B1	894 x 1240 x 30 mm	8,26 kg	24	219 kg	4,40 kg	3055 mm	TOF
KR50x70G25B1	557 x 755 x 30 mm	3,31 kg	116	404 kg	1,60 kg	1860 mm	UPS
KR70x100G25B1	756 x 1057 x 30 mm	5,97 kg	58	367 kg	3,08 kg	2560 mm	TOF
KR508x762G25B1	634 x 881 x 20 mm	3,49 kg	84	314 kg	2,23 kg	2189 mm	UPS
KR762x1016G25B1	890 x 1235 x 20 mm	6,39 kg	24	174 kg	4,40 kg	3055 mm	TOF

\* 10 pcs in box / 10 Stück in Packung