

# PRODUCT SHEET

## A-Board 32mm Weather Resistant

PAVEMENT SIGNS > A BOARDS



### A-Board 32mm Weather Resistant

Improved design with Posterbag for added weather protection. With round corner 32mm snap frames. Good stability with aluminium legs, anti corrosive back walls and UV stable anti glare weather resistant Posterbag.

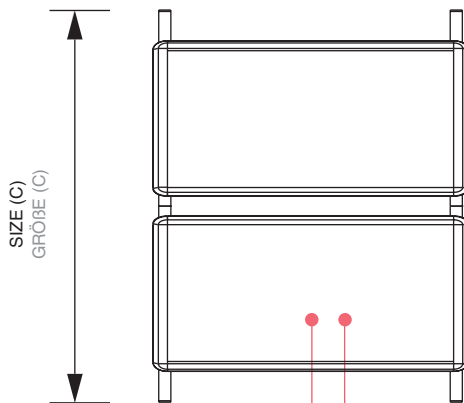
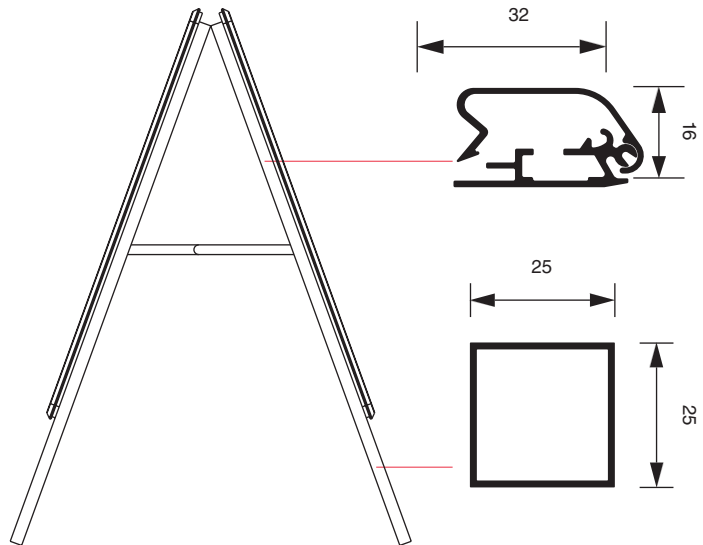
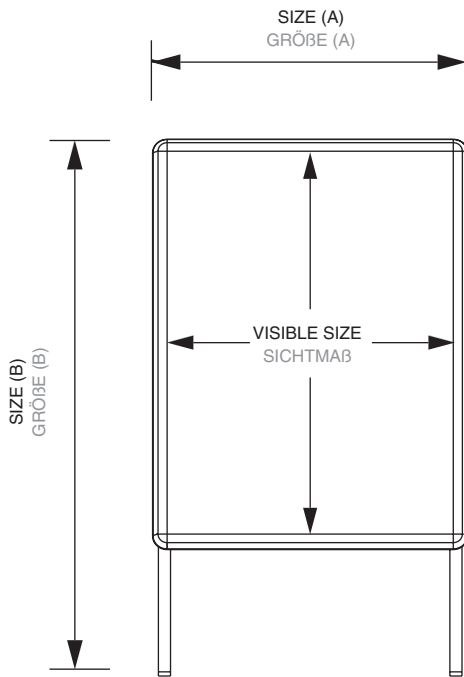
### Kundenstopper 32 mm Wetterfest

Wetterfester Kundenstopper mit Rundecken und integrierter wetterfester Postertasche. Schneller Plakatwechsel dank Klapprahmentechnik mit schlagfester, rostfreier Metallrückwand.

# PRODUCT SHEET

## A-Board 32mm Weather Resistant

PAVEMENT SIGNS > A BOARDS



WEATHER RESISTANT POSTER BAG  
WETTERFESTE POSTERTASCHE

METAL BACKWALL  
METALLRÜCKWAND

### ACCESSORIES ZUBEHÖR



(ZPTOPCARD)  
TOPCARD  
TOPSCHILD

(ZPHOLDER)  
TOPCARD HOLDER  
TOPSCHILD-HALTER



(TSZP)  
SET TOPCARD+WIREFRAME HOLDER  
TOPSCHILD UND HALTERUNG - SET

(LHZP)  
LEAFLET BASKET  
PROSPEKTKORB



# PRODUCT SHEET

## A-Board 32mm Weather Resistant

PAVEMENT SIGNS > A BOARDS

ARTICLE CODE	EAN / GTIN	POSTER SIZE	VISIBLE SIZE	SIZE (A x B x C)	NET WEIGHT
ARTIKELCODE	EAN / GTIN	PLAKATFORMAT	SICHTMAß	GRÖßE (A x B x C)	NETTO GEWICHT
ZPA2R32MEWR	8595578304961	420 x 594 mm (A2)	402 x 576 mm	465 x 1025 x 683 mm	5,83 kg
ZPA1R32MEWR	8595578304978	594 x 841 mm (A1)	576 x 823 mm	639 x 1120 x 744 mm	9,06 kg
ZP50x70R32MEWR	8595578304992	500 x 700 mm	482 x 682 mm	545 x 1120 x 683 mm	7,08 kg
ZP70x100R32MEWR	8595578305005	700 x 1000 mm	682 x 982 mm	745 x 1406 x 683 mm	11,79 kg
ZP508x762R32MEWR	8595578305012	20" x 30"	490 x 744 mm	553 x 1025 x 683 mm	7,38 kg

ARTICLE CODE	PACKING SIZE	PACKING WEIGHT	PCS / PALLET	WEIGHT OF PALLET	VOLUMETRIC WEIGHT	BELT SIZE	SHIPPING
ARTIKELCODE	VERPACKUNGS-GRÖßE	VERSAND-GEWICHT	STOCK / PALETTE	PALETTEN-GEWICHT	VOLUMEN-GEWICHT	GURTMAß	VERSANDART
ZPA2R32MEWR	521 x 1076 x 124 mm	8,79 kg	20	196 kg	13,90 kg	2366 mm	UPS
ZPA1R32MEWR	695 x 1196 x 124 mm	12,08 kg	20	262 kg	20,61 kg	2834 mm	UPS
ZP50x70R32MEWR	601 x 1076 x 124 mm	10,43 kg	20	229 kg	16,048 kg	2526 mm	UPS
ZP70x100R32MEWR	807 x 1495 x 124 mm	16,16 kg	10	182 kg	29,92 kg	3357 mm	TOF
ZP508x762R32MEWR	695 x 1196 x 124 mm	10,86 kg	20	238 kg	20,61 kg	2834 mm	UPS